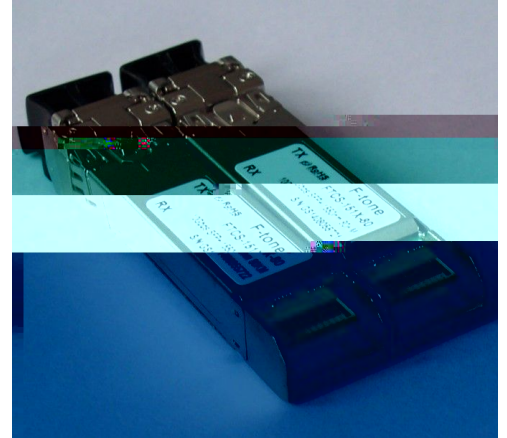


FTCS-151X-40DXX

Features

- ◆
- ◆
- ◆
- ◆
- ◆
- ◆
- ◆
- ◆
- ◆
- ◆
- ◆
- ◆
- ◆
- ◆
- ◆

∩



Applications

- ◆
- ◆
- ◆
- ◆
- ◆

Description

Absolute Maximum Ratings

| Parameter | Symbol | Min | Max | Unit |
|-----------|--------|-----|-----|------|
| | | | | |
| | | | | |
| | | | | |

Operating Conditions

| Parameter | Symbol | Min | Typical | Max | Unit |
|-----------|--------|-----|---------|-----|------|
| | | | | | |
| | | | | | |
| | | | | | |

Notes:

Transmitter Specifications – Optical

| Parameter | Symbol | Min | Typical | Max | Unit |
|-----------|-------------|-----|---------|-----|------|
| | λ_c | | | | |
| | | | | | |
| | | | | | |
| | | | | | |
| | | | | | |
| | | | | | |
| | | | | | |

Notes:

Transmitter Specifications – Electrical

| Parameter | Symbol | Min | Typical | Max | Unit |
|-----------|--------|-----|---------|-----|------|
| | | | | | |



| | | | | | |
|--|--|--|--|--|---|
| | | | | | Ω |
| | | | | | |
| | | | | | |
| | | | | | |
| | | | | | |

Receiver Specifications – Optical

| Parameter | Symbol | Min | Typical | Max | Unit |
|-----------|--------|-----|---------|-----|------|
| | | | | | |
| | | | | | |
| | | | | | |
| | | | | | |
| | | | | | |
| | | | | | |
| | | | | | |
| | | | | | |
| | | | | | |
| | | | | | |

Notes:

Receiver Specifications – Electrical

| Parameter | Symbol | Min | Typical | Max | Unit |
|-----------|--------|-----|---------|-----|------|
| | | | | | |
| | | | | | |
| | | | | | |
| | | | | | |
| | | | | | |

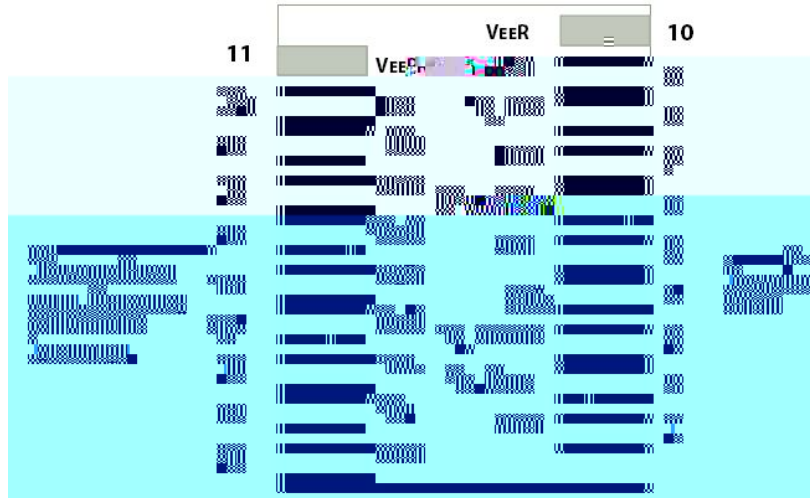


Figure1.Electrical Pin-out Details

Pin Descriptions

| Pin | Symbol | Name/Description |
|-----|--------|------------------|
|-----|--------|------------------|

≡



F-tone Networks

北亿纤通科技有限公司

F-TONE GROUP 集团旗下

| | | |
|--|--|--|
| | | |
| | | |
| | | |

Notes:

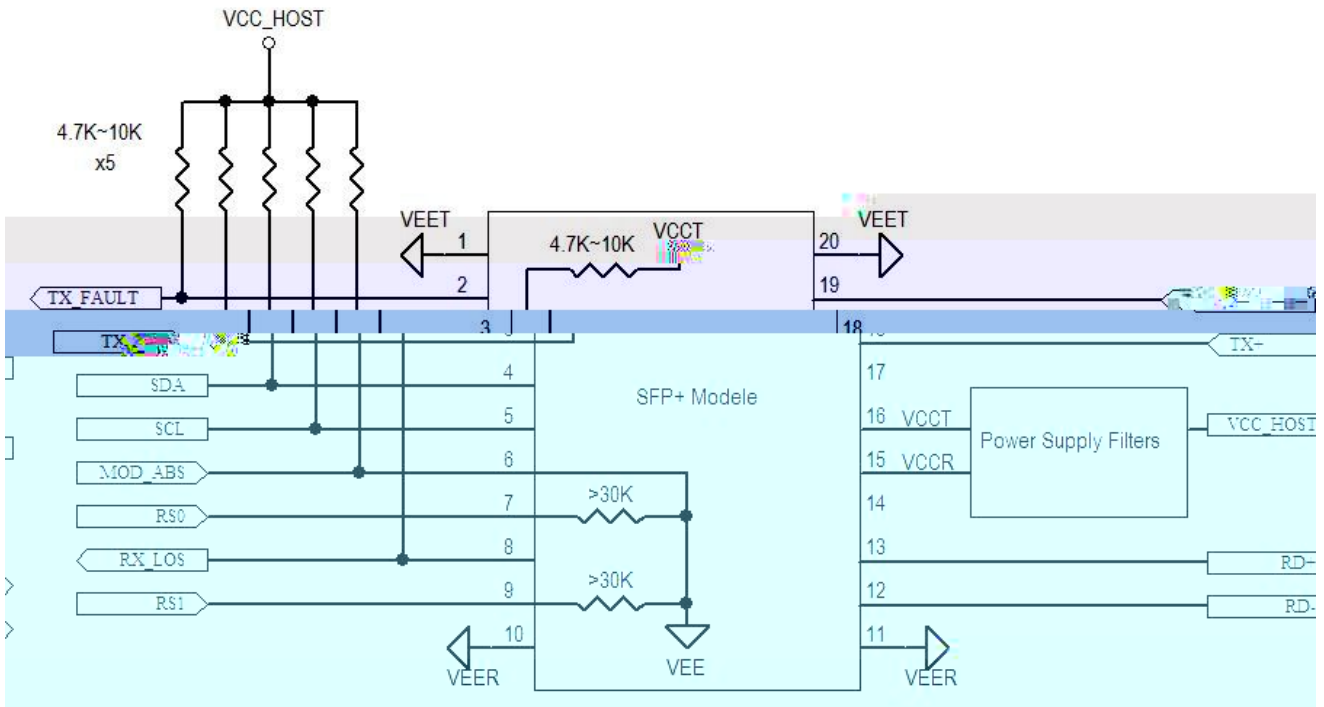


Figure3. Host-Module Interface

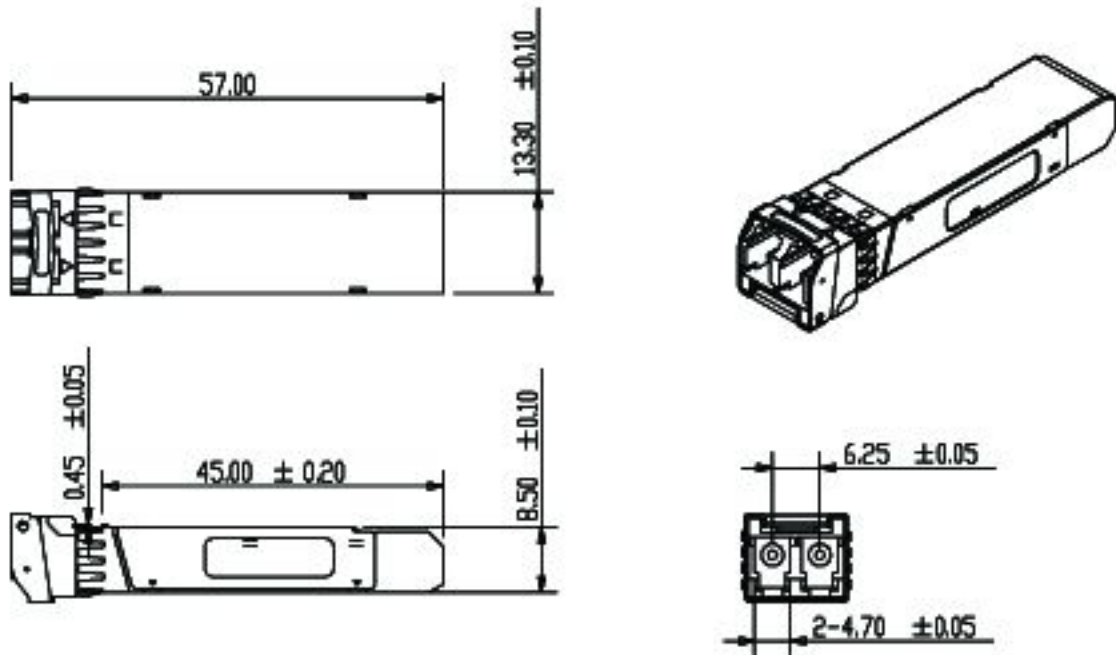


Figure6. Mechanical Specifications



F-tone Networks

北亿纤通科技有限公司

F-TONE GROUP 集团旗下

Regulatory Compliance